

**THIS IS THE OX
HI-EFFICIENCY SERIES.**

IT'S BUSY RIGHT NOW.

THERE'S
WORK
TO DO.



Box 8 • 2002 Kingbird Ave. • George, IA 51237 USA
1-888-SUDENGA (783-3642) • 1-712-475-3301
Fax: 1-712-475-3320 • sales@sudenga.com • www.sudenga.com



The Hi-Efficiency portable auger features a versatile hydraulic scissor lift, bottom drive PTO, and gimbal mount hinged hopper. Up to 82' long, and capacities up to 7,000 bushels per hour. If you're looking to goof around, keep looking. Available in painted or galvanized finishes.



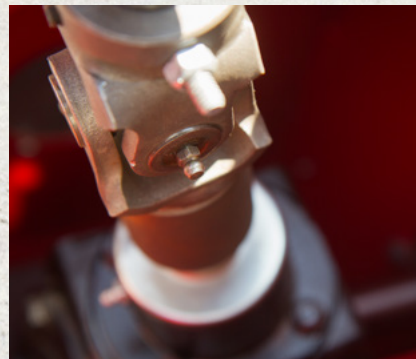
HI-EFFICIENCY Portable Augers

SPECIFICATIONS

	8" AUGERS	10" AUGERS	12" AUGERS
Tube Lengths	57', 61', 65', 71'	61', 66', 71', 76', 82'	61', 72', 82'
Tube Gauge	14	12	12
Tube Finish	Painted or galvanized		Painted
Flighting	3/16"		1/4"
Driveline	Direct constant velocity joint on PTO -to-flighting connection; double bearings; shear pin protection		
Transport	Hydraulic scissors lift; 4-bolt rims (8" augers) or 6-bolt rims (10"/12" augers); roller bearings for road transport. Transport widths: 10' (8" augers) and 10-1/2' (10"/12" augers).		
Swing Hopper	Mechanically driven by roller chain and double gearbox from auger flight; gimbals mount is easy to position; UHMW sealed hopper joint keeps weather out and grain in (PAT NO. 5,788,055); 10" and 12" hoppers are hinged at the hopper to incline joint. CV joint is standard on 10" and 12". Hopper intake flighting is 5/16" thick on all models.		



TWIN SCREW HOPPER



GREASE FITTINGS



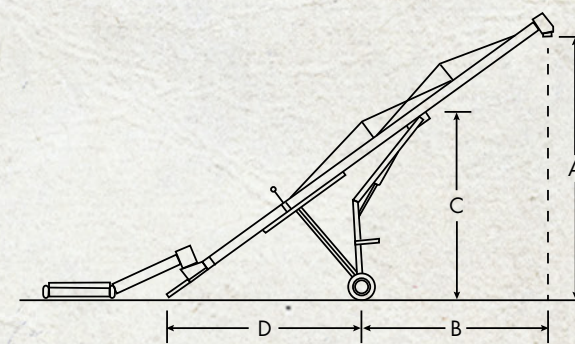
GREASE FITTING ACCESS



COUNTER-BALANCED HITCH

STANDARD FEATURES

- 8", 10" and 12" diameter tubes
- 8" and 10" galvanized or painted finish
- 12" painted finish
- Hydraulic cylinder scissors lift and heavy duty top and side cable trussing for rigid performance.



REACH & ELEVATION

Augers at 40°	57'	61'	65'	71'	76'	82'
A - Elevation	39'	42'	46'	49'	52'	56'
B - Reach	21'	25'	25'	29'	33'	33'
C - Height	20'	20'	25'	25'	25'	28'
D - Distance	21'	21'	25'	25'	25'	28'

Augers at 30°	57'	61'	65'	71'	76'	82'
A - Elevation	30'	33'	36'	39'	42'	44'
B - Reach	23'	28'	28'	33'	37'	37'
C - Height	15'	15'	25'	15'	19'	21'
D - Distance	23'	23'	25'	23'	29'	34'

ACCESSORIES

	8" AUGERS	10" AUGERS	12" AUGERS
1/4' Ga. Flighting	Optional	Optional	Standard
Discharge Spout	Optional	Optional	--
Overflow Spout	Optional	Optional	Standard
4' & 6' Bucket Spout	Optional	Optional	--
3' Metaflex Hose	Optional	Optional	--
4' Screen- Hopper Incline Tube	Optional	Optional	--
Low Profile Twin Screw Hopper	--	Optional	Standard
Power Rotation for Hopper ¹	--	Optional	Optional
Side Drive Kit ²	Optional	Optional	Optional

¹Hydraulic or electric positioning for hopper.

²Puts tractor at 90° to auger for more hopper swing.

AUGER CAPACITIES

8" Diameter	3200 BPH
10" Diameter	5000 BPH
12" Diameter	7000 BPH